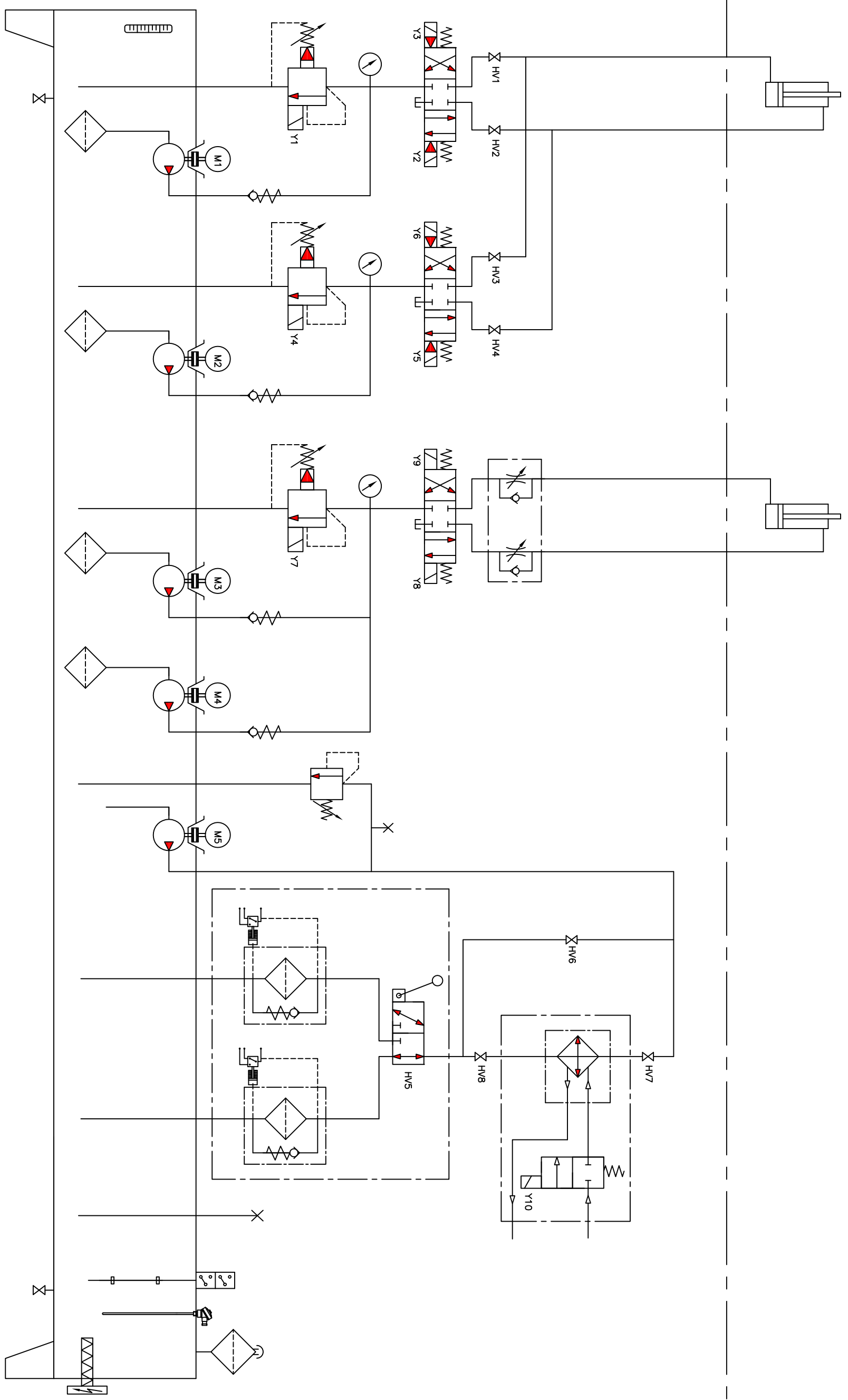


Unit Border



Project:	
Designed	Date
Drawn	Name
Checked	
Approved	
Drawing title: Hydraulic Circuit	
Ref. Code:	Qty.:
Ordered by:	

Scale:	Sheet:	Rev. date:	Rev.:
--------	--------	------------	-------



BONYAN TADBIR PARS