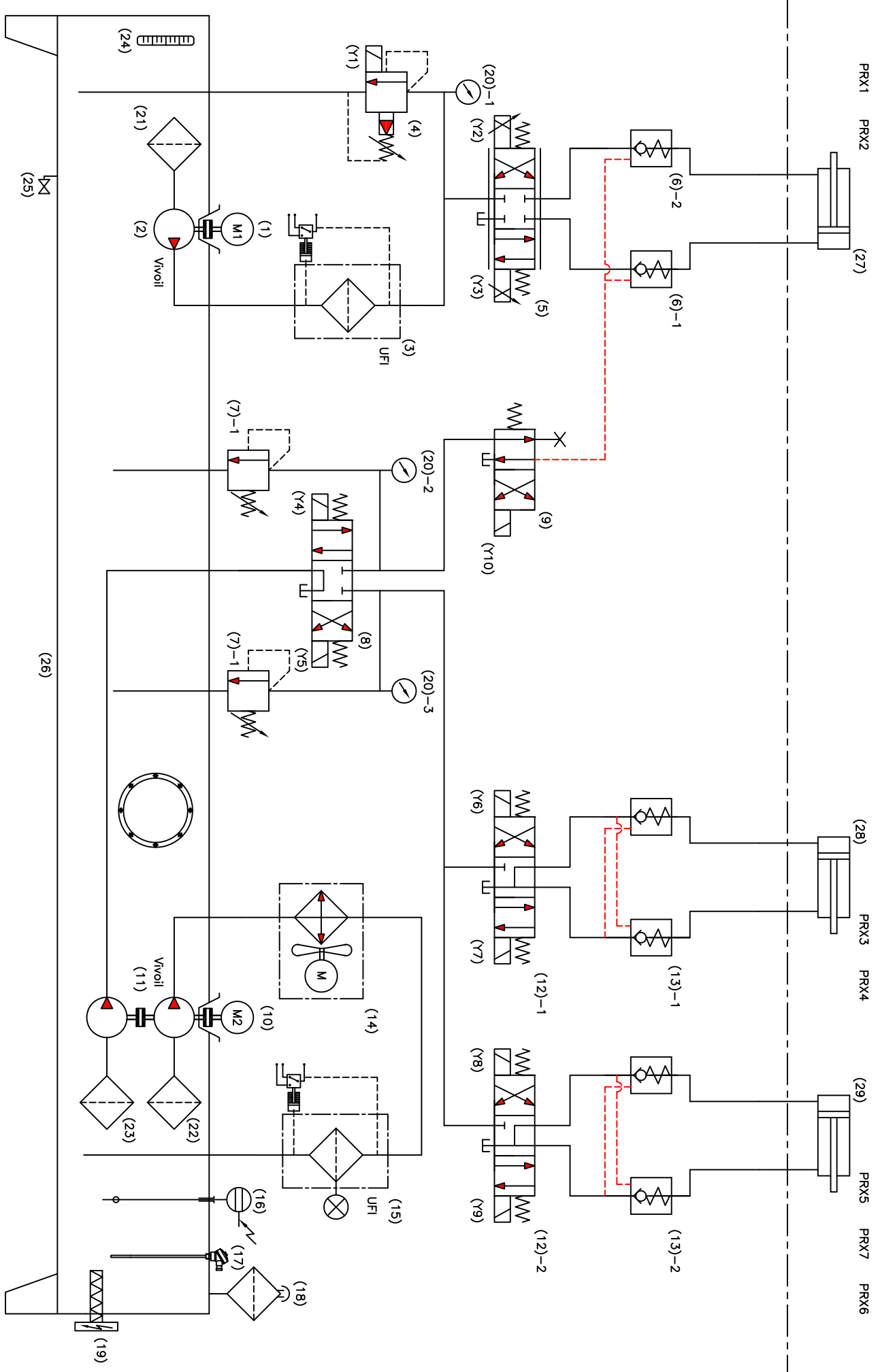


$V_{max} = 7.5 \text{ cm/sec}$   
 $V_{max} = 1.5 \text{ cm/sec}$   
 $F_{max @ 1.0 \text{ bar}} = 15000 \text{ kgf}$

$V_{max} = 1.5 \text{ cm/sec}$   
 $F_{max @ 1.0 \text{ bar}} = 5500 \text{ kgf}$

$V_{max} = 2.5 \text{ cm/sec}$   
 $F_{max @ 1.0 \text{ bar}} = 3000 \text{ kgf}$



Project:		Hydraulic Power unit	
Designed	Date	Name	
Drawn			
Checked			
Approved			
Ref. Code:		Ordered by:	
Drawing title:		Qty.:	
Hydraulic Circuit			

Scale: Sheet: Rev. date: Rev.:



BONYAN TADBIR PARS